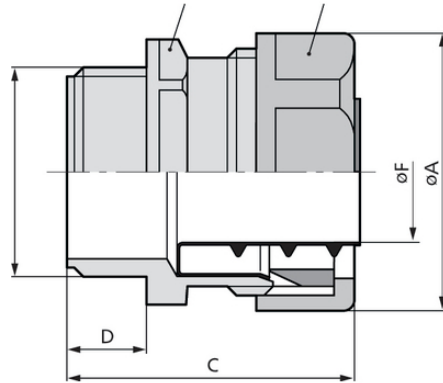
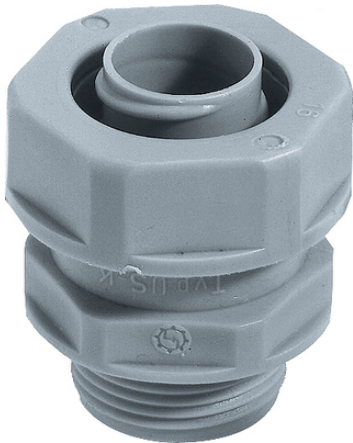


## SILVYN® USK-M

SILVYN® USK-M - metric threaded conduit fitting



Maximum vibration protection



Assembly time

### Benefits

- Fast and easy assembly
- Vibration protection
- No extra parts necessary

### Application range

In combination with protective conduit:  
 SILVYN® FPS/ FD-PU  
 SILVYN® SP/SP-PU  
 Indoor applications  
 Light mechanical stress

### Product features

Large wrench sizes

### Product Make-up

- Metric connection thread
- Hexagonal collar
- Threaded sleeve
- Cap nut

### Note

Included: SILVYN® EE-K inner sleeve

Last Update (24.04.2024)

©2024 Lapp Group - Technical changes reserved

Product Management [www.lappkabel.de](http://www.lappkabel.de)

You can find the current technical data in the corresponding data sheet.

PN 0456 / 02\_03.16

## SILVYN® USK-M

### Technical Data

|                        |   |
|------------------------|---|
| Classification ETIM 5: | ETIM 5.0 Class-ID: EC001178<br>ETIM 5.0 Class-Description: Screw connection for protective plastic hose |
| Classification ETIM 6: | ETIM 6.0 Class-ID: EC001178<br>ETIM 6.0 Class-Description: Screw connection for protective plastic hose |
| Colour delivered:      | Silver grey (RAL 7001)  |
| Material:              | PP  |
| Protection rating:     | IP 54   |
| Temperature range:     | -10°C to +110°C   |

### Note

Photographs and graphics are not to scale and do not represent detailed images of the respective products.  
Prices are net prices without VAT and surcharges. Sale to business customers only.

**SILVYN® USK-M**

| Article number       | Metric size | SW 1/2 mm   | Overall length mm | Thread length mm | Clear opening (mm) | Suitable for SILVYN® FD-PU/FPS | Suitable for SILVYN® SP | Suitable for SILVYN® SP-PU | Pieces / PU |
|----------------------|-------------|-------------|-------------------|------------------|--------------------|--------------------------------|-------------------------|----------------------------|-------------|
| <b>SILVYN® USK-M</b> |             |             |                   |                  |                    |                                |                         |                            |             |
| 55501300             | 10 x 1.0    | 16.0 / 18.0 | 40                | 10               | 6                  | 7 x 10                         | -                       | -                          | 50          |
| 55501310             | 12 x 1.5    | 21.0 / 23.0 | 43                | 12               | 8                  | 10 x 14                        | 10 x 14                 | 10 x 14                    | 50          |
| 55501320             | 16 x 1.5    | 24.0 / 27.0 | 43                | 12               | 11                 | 13 x 17                        | 12 x 16                 | 12 x 16                    | 50          |
| 55501330             | 20 x 1.5    | 29.0 / 32.0 | 44                | 13               | 15                 | 16 x 21                        | 16 x 20                 | 16 x 20                    | 50          |
| 55501340             | 25 x 1.5    | 36.0 / 40.0 | 50                | 13               | 20                 | 22 x 27                        | 22 x 27                 | 22 x 27                    | 25          |
| 55501350             | 32 x 1.5    | 45.0 / 49.0 | 51                | 15               | 27                 | 29 x 36                        | 30 x 36                 | 30 x 36                    | 25          |
| 55501360             | 40 x 1.5    | 54.0 / 58.0 | 51                | 15               | 35                 | 38 x 45                        | 38 x 44                 | 38 x 44                    | 25          |
| 55501370             | 50 x 1.5    | 66.0 / 70.0 | 58                | 16               | 44.5               | 48 x 56                        | 49 x 56                 | -                          | 10          |

Last Update (24.04.2024)

©2024 Lapp Group - Technical changes reserved

 Product Management [www.lappkabel.de](http://www.lappkabel.de)

You can find the current technical data in the corresponding data sheet.

PN 0456 / 02\_03\_16