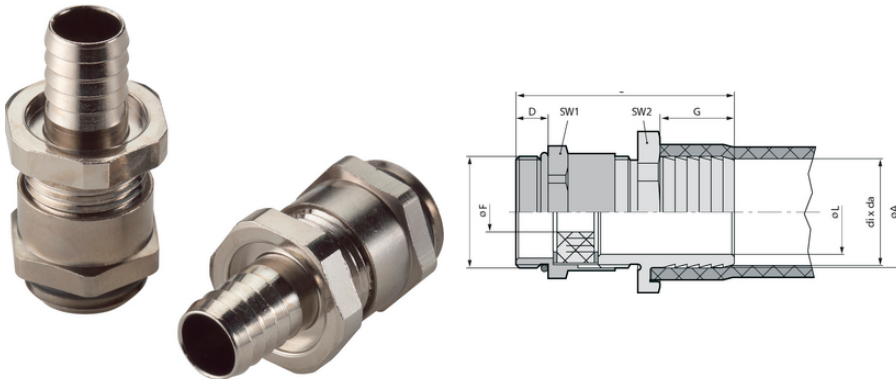


## SILVYN® SSVZ

SILVYN® SSVZ - nickel-plated brass PG threaded conduit fitting with cable strain relief



Optimum strain relief



Robust

### Benefits

Conduit gland with high tensile strength for plastic conduits  
High-tensile cable protection

### Application range

In combination with protective conduit:

SILVYN® SI

SILVYN® SP

SILVYN® SP-PU

### Product features

High-tensile

Robust

Compact design

Cable strain relief

Cable sealing

### Product Make-up

PG connection thread

Integrated cable gland

Conduit entry with special grip profile

### Note

Necessary conduit clamp SILVYN® SCH

### Technical Data

Classification ETIM 5:

ETIM 5.0 Class-ID: EC001180

ETIM 5.0 Class-Description: Screw connection for protective

Last Update (24.04.2024)

©2024 Lapp Group - Technical changes reserved

Product Management [www.lappkabel.de](http://www.lappkabel.de)

You can find the current technical data in the corresponding data sheet.

PN 0456 / 02\_03.16

**SILVYN® SSVZ**

Classification ETIM 6:	metallic hose ETIM 6.0 Class-ID: EC001180 ETIM 6.0 Class-Description: Screw connection for protective metallic hose
Material:	Body: nickel-plated brass Incised sealing ring: CR O-ring: NBR
Temperature range:	-20°C to +80°C

**Note**

Photographs and graphics are not to scale and do not represent detailed images of the respective products. Prices are net prices without VAT and surcharges. Sale to business customers only.

**SILVYN® SSVZ**

Article number	PG size	SW 1/2 mm	Overall length mm	Thread length mm	Clear opening (mm)	Suitable for SILVYN® SCH	Suitable for SILVYN® SI	Suitable for SILVYN® SP	Suitable for SILVYN® SP-PU	Pieces / PU
SILVYN® SSVZ										
52021070	9	19.0 / 17.0	39.1	6	8	10 - 16 S	-	10 x 14	10 x 14	50
52021080	9	19.0 / 17.0	39.1	6	10	12 - 20 S	-	12 x 16	12 x 16	50
52003020	11	22.0 / 20.0	39.6	6	12	16 - 25 S	-	14 x 18	14 x 18	50
52024670	11	22.0 / 20.0	39.6	6	12	16 - 25 S	-	16 x 20	16 x 20	50
52003030	13.5	25.0 / 22.0	43.1	6.5	14	20 - 32 S	18 x 22	-	-	50
52003040	16	30.0 / 24.0	44.1	6.5	16	20 - 32 S	-	22 x 27	22 x 27	25
52003050	21	32.0 / 30.0	48.1	7	21	20 - 32 S	23 x 28	-	-	25
52003060	29	40.0 / 40.0	53.6	8	27	25 - 40 S	-	30 x 36	30 x 36	25
52024680	29	42.0 / 40.0	53.6	8	30	35 - 50 S	32 x 38	-	-	25

Last Update (24.04.2024)

©2024 Lapp Group - Technical changes reserved

 Product Management [www.lappkabel.de](http://www.lappkabel.de)

You can find the current technical data in the corresponding data sheet.

PN 0456 / 02\_03\_16