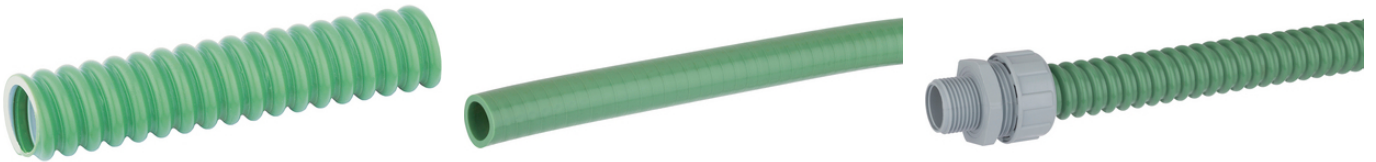


## SILVYN® ELÖ

SILVYN® ELÖ - plastic spiralized protection conduit with hard PVC spirale and different design



Good chemical resistance



Assembly time



Oil-resistant

### Benefits

Resistant to grease, cooling agents and oils, especially ASTM2 testing oil

Easy assembly of cables and wires due to smooth inner

Bendable

Crush-resistant

A fully insulated system when used in combination with SILVYN® MPC/MPC-M

### Application range

Mechanical engineering

Machine tools

Vending machine construction

Applications with strong chemical influences

### Product features

Oil-resistant

Flexible

Smooth inner wall

Dimensionally stable

### Norm references / Approvals

UL FILENUMBER E308201

Last Update (24.04.2024)

©2024 Lapp Group - Technical changes reserved

Product Management [www.lappkabel.de](http://www.lappkabel.de)

You can find the current technical data in the corresponding data sheet.

PN 0456 / 02\_03.16

## SILVYN® ELÖ

### Product Make-up

Integrated hard PVC spiral  
Modified soft PVC sheath

### Note

Smooth version is not UL recognized

### Technical Data

Classification ETIM 5:	ETIM 5.0 Class-ID: EC001177 ETIM 5.0 Class-Description: Protective plastic hose
Classification ETIM 6:	ETIM 6.0 Class-ID: EC001177 ETIM 6.0 Class-Description: Protective plastic hose
Certifications:	IEC EN 61386-23
Colour delivered:	Green (RAL 6001)
Material:	Special soft PVC sheath with hard PVC spiral
Temperature range:	-20°C to +70°C

### Note

Photographs and graphics are not to scale and do not represent detailed images of the respective products.  
Prices are net prices without VAT and surcharges. Sale to business customers only.

## SILVYN® ELÖ

Article number	Nominal size	ID x OD mm	Bending radius (mm)	Suitable for SILVYN® MPC-M/MPC 90° M	Suitable for SILVYN® MPC	Suitable for SILVYN® MPC 90°	PU (m)
SILVYN® ELÖ							
61751610	12	10 x 14.5	25	16/1	9	9	30
61751620	16	12 x 16.5	25	16/2 , 20/1	11 , 13,5/1	11 , 13,5/1	30
61751630	20	16 x 21	35	20/2	13,5/2 , 16	13,5/2 , 16	30
61751640	25	22 x 27.5	45	25 x 1,5	21	21	30
61751650	30	25 x 30.5	55	32/1	21	21	30
61751660	32	28 x 33.5	60	32/2	29/2	29/2	30
61751670	40	35 x 41	80	40 x 1,5	36	36	30
61751680	50	40 x 46.4	105	50 x 1,5	42	-	30
61751690	63	50 x 57	120	63 x 1,5	48	-	30
SILVYN® ELO smooth							
61751611	12	10 x 14.2	50	-	-	-	30
61751621	16	12 x 17.8	50	16/2 , 20/1	11 , 13,5/1	11 , 13,5/1	30
61751631	20	16 x 21.1	70	20/2	13,5/2 , 16	13,5/2 , 16	30
61751641	25	21 x 26.4	90	25x1,5	21	21	30
61751661	32	26.5 x 33.1	140	32/2	29/2	29/2	30
61751671	40	35.4 x 41.8	190	40 x 1,5	36	36	30
61751681	50	40 x 47.9	240	50 x 1,5	42	-	30
61751691	63	51.3 x 59.7	270	63 x 1,5	48	-	30

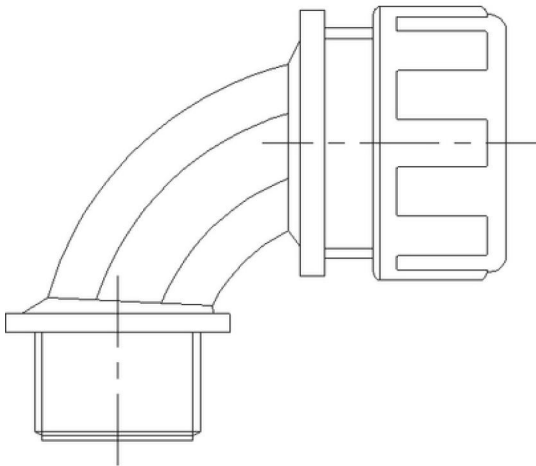
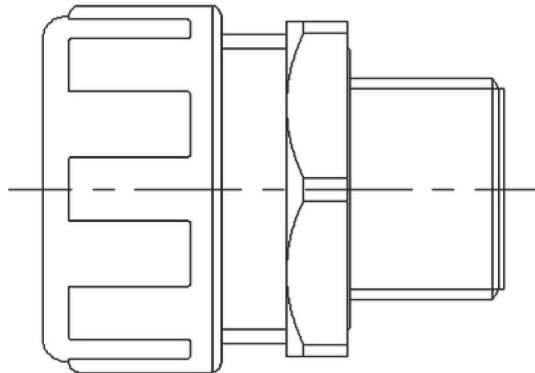
Last Update (24.04.2024)

©2024 Lapp Group - Technical changes reserved

 Product Management [www.lappkabel.de](http://www.lappkabel.de)

 You can find the current technical data in the corresponding data sheet.  
 PN 0456 / 02\_03\_16

**SILVYN® ELÖ**



Last Update (24.04.2024)

©2024 Lapp Group - Technical changes reserved

Product Management [www.lappkabel.de](http://www.lappkabel.de)

You can find the current technical data in the corresponding data sheet.

PN 0456 / 02\_03.16