

## EPIC® ULTRA H-A 3 TBF

The robust and reliable industry connector housing as EMC version

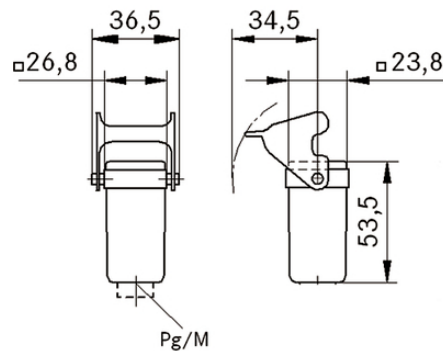
EPIC® Rectangular connector housing EMC protection, corrosion resistant, UL50E, Nema250

### Info

EMC protection

Corrosion-resistant

Protection rating UL50E tested



Good chemical resistance



Corrosion-resistant



Assembly time



Space requirement



Robust



Connector with standard housing unit



Interference signals



Waterproof

### Benefits

Pluggable with standard housings

Last Update (13.02.2020)

©2020 Lapp Group - Technical changes reserved

Product Management [www.lappkabel.de](http://www.lappkabel.de)

You can find the current technical data in the corresponding data sheet.

PN 0456 / 02\_03.16

## EPIC® ULTRA H-A 3 TBF

Optimum, low-resistance 360° screening  
All-purpose due to high corrosion resistance and high environmental protection.  
Space-saving due to compact dimensions  
High mechanical and chemical resistance

### Application range

In EMC-sensitive environments  
For fixed and flexible applications (e.g. machinery building, wind turbines)  
Construction machinery  
Electric motor manufacturing

### Product features

Resistance to cyclic salt spray is tested according to IEC 68-2-52, severity level 2  
Salt spray testing according to DIN EN ISO 9227, method NSS, period of test 480 hours  
Corrosion-resistant according to DIN EN 6988  
Delivery including stainless steel screw for the inserts

### Technical Data

Classification ETIM 5:	ETIM 5.0 Class-ID: EC000437 ETIM 5.0 Class-Description: Housing for industrial connectors
Classification ETIM 6:	ETIM 6.0 Class-ID: EC000437 ETIM 6.0 Class-Description: Housing for industrial connectors
Material:	Housing: nickel-plated zinc diecasting Lever: stainless steel Sealing: NBR
Protection rating:	IP 65 NEMA 250, UL50E: 12, 4, 4X (latched)
VDE-tested:	Certified production control: VDE-REG. no.: B437 UL-tested: UL File Number: E75770
Temperature range:	-40°C to +100°C, short-term up to +125°C

### Note

Photographs and graphics are not to scale and do not represent detailed images of the respective products.  
Prices are net prices without VAT and surcharges. Sale to business customers only.

**EPIC® ULTRA H-A 3 TBF**

Article number	Article description	M	Pieces / PU
10423204	EPIC® ULTRA H-A 3 TBF	20	10

Last Update (13.02.2020)

©2020 Lapp Group - Technical changes reserved

Product Management [www.lappkabel.de](http://www.lappkabel.de)

You can find the current technical data in the corresponding data sheet.  
PN 0456 / 02\_03.16