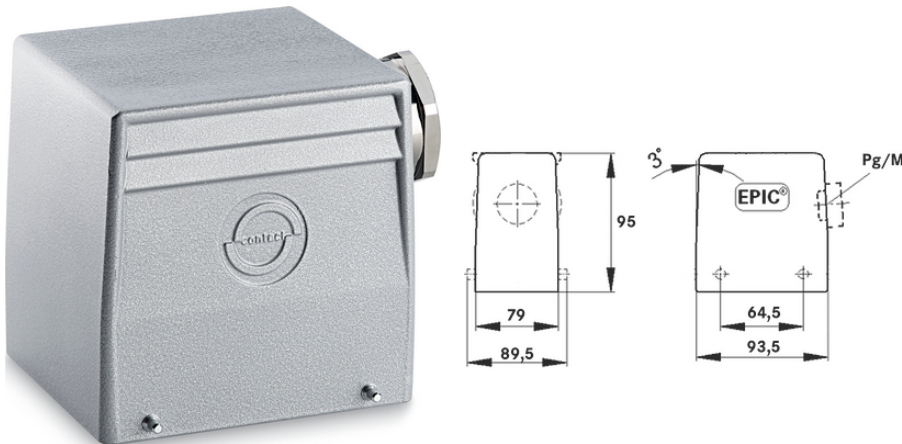


EPIC® H-B 32 TS

Housing design H-B for 2 inserts.

The robust connector housing with pivots for a direct lever and a side cable entry is ideal for use in control systems.



Benefits

Two inserts in one housing. With two levers for high safety

M40 housing extension on M50 with SKINTOP 53112083 possible (clamping range 27 - 35 mm)

Application range

Plant engineering
Control engineering
Plastics industry

Product features

Hood
Bolts for double lever
Side cable entry
Versions with / without neck

Technical Data

Classification ETIM 5:

ETIM 5.0 Class-ID: EC000437

ETIM 5.0 Class-Description: Housing for industrial connectors

Classification ETIM 6:

ETIM 6.0 Class-ID: EC000437

ETIM 6.0 Class-Description: Housing for industrial connectors

Material:

Housing: powder-coated aluminium alloy, grey

Lever: zinc-plated steel

Sealing: NBR

Protection rating:

IP 65 (latched)

Temperature range:

-40°C to +100°C, short-term up to +125°C

Note

Last Update (16.07.2024)

©2024 Lapp Group - Technical changes reserved

Product Management www.lappkabel.de

You can find the current technical data in the corresponding data sheet.

PN 0456 / 02_03.16

EPIC® H-B 32 TS

Photographs and graphics are not to scale and do not represent detailed images of the respective products.
Prices are net prices without VAT and surcharges. Sale to business customers only.



EPIC® H-B 32 TS

Article number	Article description	M	Packaging unit
19136000	H-B 32 TS M32	32	5

Last Update (16.07.2024)

©2024 Lapp Group - Technical changes reserved

Product Management www.lappkabel.de

You can find the current technical data in the corresponding data sheet.

PN 0456 / 02_03.16