

## EPIC® H-B 24 SGRL-LB

Housing design H-B. The industry standard.

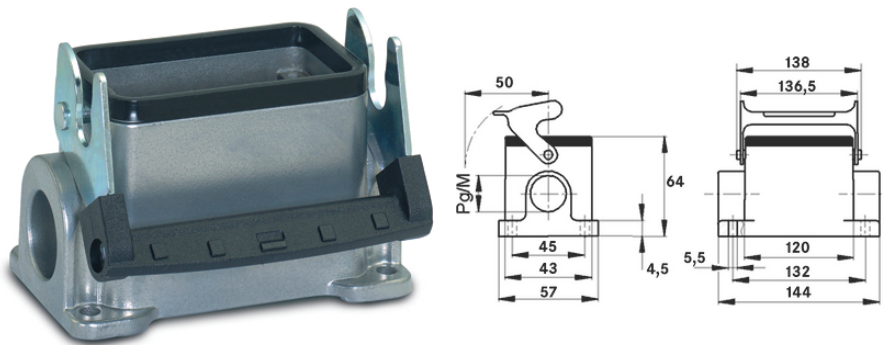
The universal low metal housing consists of a single lever and 2 cable entries. It can be used, for example, in investment construction.

### Info

For easy introduction of two cables

Single Lever version for quick locking and simple unlocking with lifting aid

Protection rating UL50E tested



Supplementary automation components from Lapp



Mechanical and plant engineering



Mechanical resistance



Robust



Waterproof

### Benefits

Safe fixing with 4 screws

Casted neck for easy assembly of the cable gland

### Application range

Plant engineering

Light & sound technology

Plastics industry

Last Update (16.07.2024)

©2024 Lapp Group - Technical changes reserved

Product Management [www.lappkabel.de](http://www.lappkabel.de)

You can find the current technical data in the corresponding data sheet.

PN 0456 / 02\_03.16

## EPIC® H-B 24 SGRL-LB

### Product features

Surface-mount base, low version  
Single lever  
2 cable entries

### Technical Data

Classification ETIM 5:	ETIM 5.0 Class-ID: EC000437 ETIM 5.0 Class-Description: Housing for industrial connectors
Classification ETIM 6:	ETIM 6.0 Class-ID: EC000437 ETIM 6.0 Class-Description: Housing for industrial connectors
Material:	Housing: powder-coated aluminium alloy, grey Lever: zinc-plated steel Sealing: NBR
Protection rating:	IP 65 (latched) NEMA 250, UL50E: 12 (latched)
VDE-tested:	Certified production control: VDE-REG. no.: B437 UL-tested: UL File Number: E75770
Temperature range:	-40°C to +100°C, short-term up to +125°C

### Note

Photographs and graphics are not to scale and do not represent detailed images of the respective products. Prices are net prices without VAT and surcharges. Sale to business customers only.



## EPIC® H-B 24 SGRL-LB

Article number	Article description	M	PG	Packaging unit
H-B housing: surface-mount base (2 cable entries, single lever)				
10105900	H-B 24 SGRL-LB 21	-	21	5
19105900	H-B 24 SGRL-LB M25	25	-	5

Last Update (16.07.2024)

©2024 Lapp Group - Technical changes reserved

Product Management [www.lappkabel.de](http://www.lappkabel.de)

You can find the current technical data in the corresponding data sheet.

PN 0456 / 02\_03\_16