

## EPIC® H-B 24 AD-LB

Housing design H-B. The industry standard.

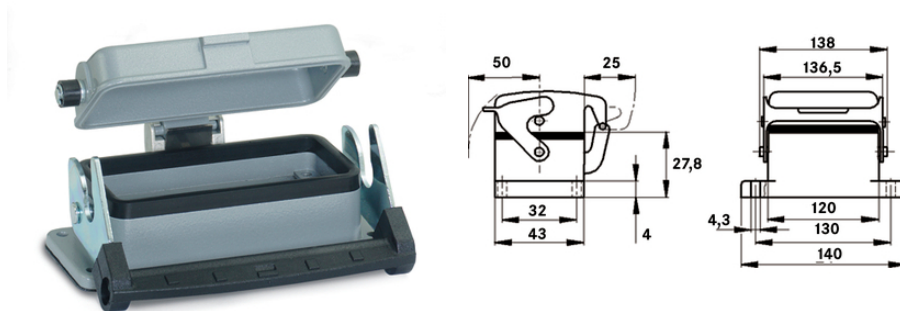
The robust metal housing with a single lever and a seal is ideal for use in the plastics industry.

### Info

Metal lid with sturdy hinge

Single Lever version for quick locking and simple unlocking with lifting aid

Protection rating UL50E tested



Supplementary automation components from Lapp



Mechanical and plant engineering



Mechanical resistance



Robust



Waterproof

### Benefits

Safe fixing with 4 screws

### Application range

Plant engineering

Light & sound technology

Plastics industry

### Product features

Last Update (14.10.2019)

©2019 Lapp Group - Technical changes reserved

Product Management [www.lappkabel.de](http://www.lappkabel.de)

You can find the current technical data in the corresponding data sheet.

PN 0456 / 02\_03.16

## EPIC® H-B 24 AD-LB

H-A case: Wall base  
Single lever  
Metal cover  
Included: flat gasket

### Technical Data

Classification ETIM 5:	ETIM 5.0 Class-ID: EC000437 ETIM 5.0 Class-Description: Housing for industrial connectors
Classification ETIM 6:	ETIM 6.0 Class-ID: EC000437 ETIM 6.0 Class-Description: Housing for industrial connectors
Material:	Housing: powder-coated aluminium alloy, grey Lever: zinc-plated steel Sealing: NBR
Protection rating:	IP 65 (latched) NEMA 250, UL50E: 12 (latched)
VDE-tested:	Certified production control: VDE-REG. no.: B437 UL-tested: UL File Number: E75770
Temperature range:	-40°C to +100°C, short-term up to +125°C

### Note

Photographs and graphics are not to scale and do not represent detailed images of the respective products.  
Prices are net prices without VAT and surcharges. Sale to business customers only.

**EPIC® H-B 24 AD-LB**

Article number	Article description	M	Pieces / PU
H-B housing: panel-mount base (cover, single lever)			
10103900	H-B 24 AD-LB	AG	5

Last Update (14.10.2019)

©2019 Lapp Group - Technical changes reserved

Product Management [www.lappkabel.de](http://www.lappkabel.de)

You can find the current technical data in the corresponding data sheet.

PN 0456 / 02\_03.16