

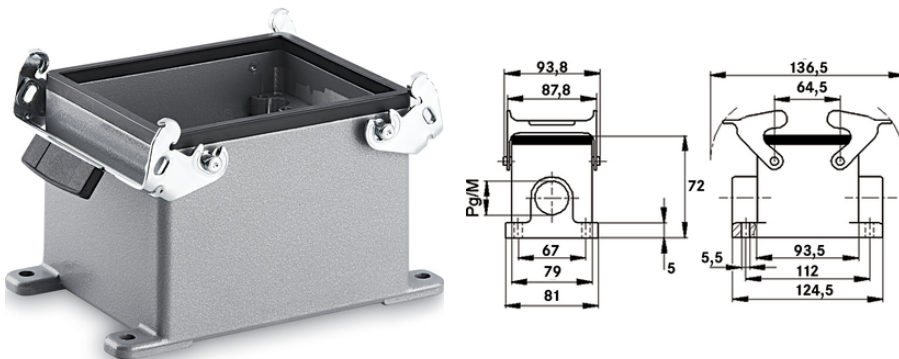
EPIC® H-A 48 SGRL

Rugged housings for 3 inserts

The base housing with 2 cable entries and 2 double levers can accommodate 3 inserts and be used, for example, in control systems.

Info

Compact, robust metal housings for double size H-A 48



Waterproof



Robust



Mechanical resistance



Mechanical and plant engineering

Benefits

Three different inserts, each suitable for housing type H-A 16, can be integrated in this housing. High flexibility

Application range

Machine and equipment manufacturing
Control engineering

Product features

Surface-mount base
Dual levers
2 cable entries

Technical Data

Classification ETIM 5:

ETIM 5.0 Class-ID: EC000437

Last Update (29.05.2019)

©2019 Lapp Group - Technical changes reserved

Product Management www.lappkabel.de

You can find the current technical data in the corresponding data sheet.

PN 0456 / 02_03.16

EPIC® H-A 48 SGRL

Classification ETIM 6:	ETIM 5.0 Class-Description: Housing for industrial connectors ETIM 6.0 Class-ID: EC000437 ETIM 6.0 Class-Description: Housing for industrial connectors
Material:	Housing: powder-coated aluminium alloy, grey Lever: zinc-plated steel Sealing: NBR
Protection rating:	IP 65 (latched)
VDE-tested:	UL-tested: UL File Number: E75770
Temperature range:	-40°C to +100°C, short-term up to +125°C

Note

Photographs and graphics are not to scale and do not represent detailed images of the respective products.
Prices are net prices without VAT and surcharges. Sale to business customers only.

EPIC® H-A 48 SGRL

Article number	Article description	
H-A housing: surface-mount base (2 cable entries, double lever)		
19639600	H-A 48 SGRL M40	40

Last Update (29.05.2019)

©2019 Lapp Group - Technical changes reserved

Product Management www.lappkabel.de

You can find the current technical data in the corresponding data sheet.
PN 0456 / 02_03.16