

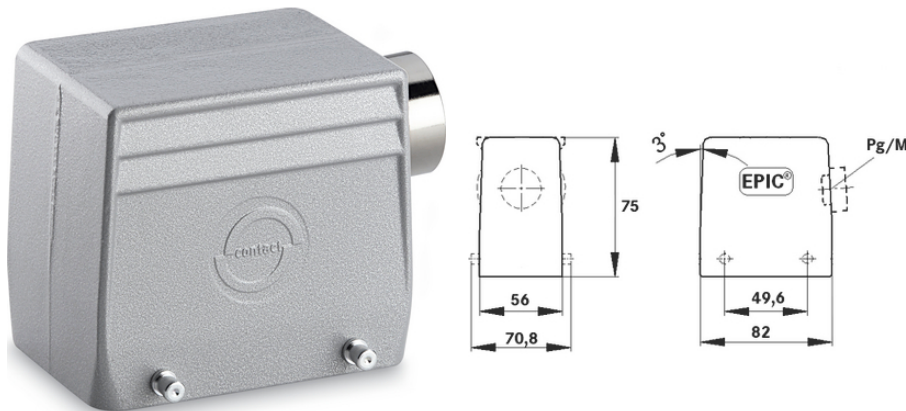
EPIC® H-A 32 TS

Rugged housings for 2 inserts

The hood with a side cable entry and pivots for a double lever can accommodate two narrow inserts and is suitable for control systems.

Info

Compact, robust metal housings for double size H-A 32



Mechanical and plant engineering



Mechanical resistance



Robust



Waterproof

Benefits

For two inserts of the small H-A, H-D and STA series. Space-saving
M40 housing extension on M50 with SKINTOP 53112083 possible (clamping range 27 - 35 mm)

Application range

Machine and equipment manufacturing
Control engineering

Product features

Hood
Bolts for double lever
Side cable entry
Versions with / without neck

Last Update (07.06.2023)

©2023 Lapp Group - Technical changes reserved

Product Management www.lappkabel.de

You can find the current technical data in the corresponding data sheet.

PN 0456 / 02_03.16

EPIC® H-A 32 TS

Technical Data

Classification ETIM 5:	ETIM 5.0 Class-ID: EC000437 ETIM 5.0 Class-Description: Housing for industrial connectors
Classification ETIM 6:	ETIM 6.0 Class-ID: EC000437 ETIM 6.0 Class-Description: Housing for industrial connectors
Material:	Housing: aluminium alloy, grey Lever: zinc-plated steel Sealing: NBR
Protection rating:	IP 65 (latched)
Temperature range:	-40°C to +100°C, short-term up to +125°C

Note

Photographs and graphics are not to scale and do not represent detailed images of the respective products.
Prices are net prices without VAT and surcharges. Sale to business customers only.

EPIC® H-A 32 TS

Article number	Article description	M	PG	Neck	Pieces / PU
H-A housing: hood (side cable entry, bolts for double lever)					
10576000	H-A 32 TS 21	-	21	yes	5
10576200	H-A 32 TS 21	-	21	-	5
10577000	H-A 32 TS 29	-	29	yes	5
19576000	H-A 32 TS M25	25	-	-	5
19577000	H-A 32 TS M32	32	-	-	5
19577500	H-A 32 TS M40	40	-	-	5

Last Update (07.06.2023)

©2023 Lapp Group - Technical changes reserved

Product Management www.lappkabel.deYou can find the current technical data in the corresponding data sheet.
PN 0456 / 02_03_16