

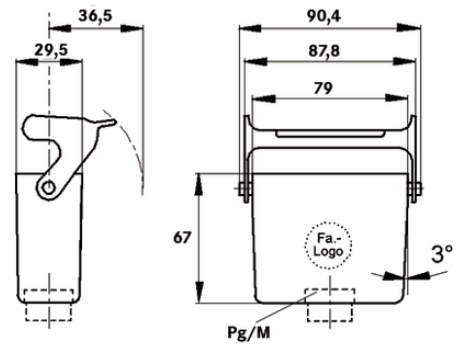
## EPIC® H-A 16 TBFH-LB

These connectors are attractive because of their compact housing.

The compact metal housing is suitable for applications with a high number of contacts. It has a direct cable entry and 1 single lever.

### Info

More interior space for wiring  
Protection rating UL50E tested



Waterproof



Robust



Mechanical resistance



Mechanical and plant engineering

### Benefits

Small and compact, for applications with high number of contacts

### Application range

Machine and equipment manufacturing  
Control engineering  
Electronic laboratory

### Product features

Cable coupler hood, high version  
Single lever  
Straight cable entry

Last Update (16.05.2019)

©2019 Lapp Group - Technical changes reserved

Product Management [www.lappkabel.de](http://www.lappkabel.de)

You can find the current technical data in the corresponding data sheet.

PN 0456 / 02\_03.16

## EPIC® H-A 16 TBFH-LB

Versions with / without neck

### Technical Data

Classification ETIM 5:	ETIM 5.0 Class-ID: EC000437 ETIM 5.0 Class-Description: Housing for industrial connectors
Classification ETIM 6:	ETIM 6.0 Class-ID: EC000437 ETIM 6.0 Class-Description: Housing for industrial connectors
Material:	Housing: aluminium alloy, grey Lever: zinc-plated steel Sealing: NBR
Protection rating:	IP 65 (latched) NEMA 250, UL50E: 12, 4 (latched)
VDE-tested:	Certified production control: VDE-REG. no.: B437 UL-tested: UL File Number: E75770
Temperature range:	-40°C to +100°C, short-term up to +125°C

### Note

Photographs and graphics are not to scale and do not represent detailed images of the respective products.  
Prices are net prices without VAT and surcharges. Sale to business customers only.

**EPIC® H-A 16 TBFH-LB**

Article number	Article description	M	PG	Neck
H-A housing: cable coupler hood (straight cable entry, single lever, high version)				
70480200	H-A 16 TBFH-LB 16	-	16	yes
70480400	H-A 16 TBFH-LB 21	-	21	yes
79480200	H-A 16 TBFH-LB M20	20	-	-
79480400	H-A 16 TBFH-LB M25	25	-	-

Last Update (16.05.2019)

©2019 Lapp Group - Technical changes reserved

Product Management [www.lappkabel.de](http://www.lappkabel.de)You can find the current technical data in the corresponding data sheet.  
PN 0456 / 02\_03.16