

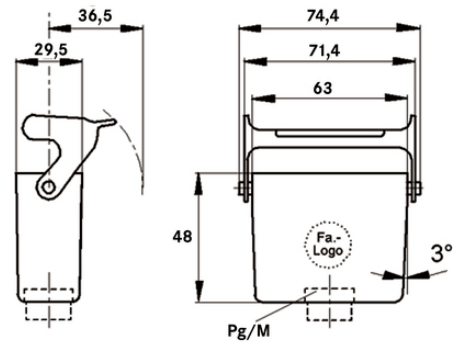
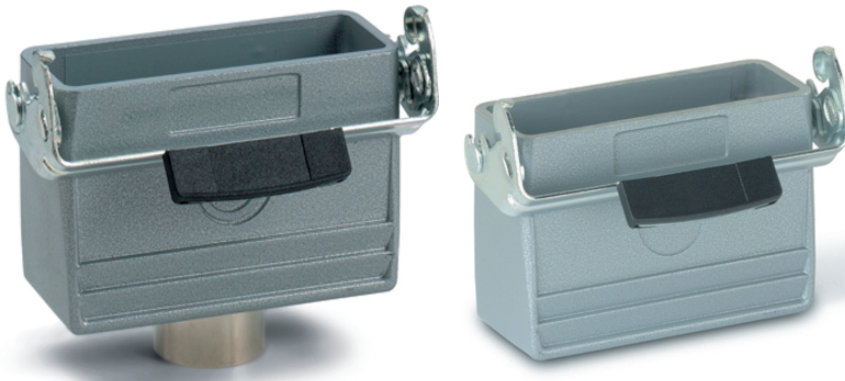
## EPIC® H-A 10 TBF-LB

These connectors are attractive because of their compact housing.

The compact housing for rectangular connectors has a direct cable entry and can be ordered with or without a neck. The low housing has 1 single lever.

### Info

Protection rating UL50E tested



Waterproof



Robust



Mechanical resistance



Mechanical and plant engineering

### Benefits

Small and space-saving for narrow available space

### Application range

Machine and equipment manufacturing  
Control engineering  
Electronic laboratory

### Product features

Cable coupler hood, low version  
Single lever  
Straight cable entry  
Versions with / without neck

Last Update (01.08.2019)

©2019 Lapp Group - Technical changes reserved

Product Management [www.lappkabel.de](http://www.lappkabel.de)

You can find the current technical data in the corresponding data sheet.

PN 0456 / 02\_03.16

## EPIC® H-A 10 TBF-LB

### Technical Data

Classification ETIM 5:	ETIM 5.0 Class-ID: EC000437 ETIM 5.0 Class-Description: Housing for industrial connectors
Classification ETIM 6:	ETIM 6.0 Class-ID: EC000437 ETIM 6.0 Class-Description: Housing for industrial connectors
Material:	Housing: aluminium alloy, grey Lever: zinc-plated steel Sealing: NBR
Protection rating:	IP 65 (latched) NEMA 250, UL50E: 12, 4 (latched)
VDE-tested:	Certified production control: VDE-REG. no.: B437 UL-tested: UL File Number: E75770
Temperature range:	-40°C to +100°C, short-term up to +125°C

### Note

Photographs and graphics are not to scale and do not represent detailed images of the respective products. Prices are net prices without VAT and surcharges. Sale to business customers only.

**EPIC® H-A 10 TBF-LB**

Article number	Article description	M	PG	Neck	Pieces / PU
H-A housing: cable coupler hood (straight cable entry, single lever)					
10439000	H-A 10 TBF-LB 13,5	-	13.5	yes	5
70450000	H-A 10 TBF-LB 16	-	16	yes	5
19439000	H-A 10 TBF-LB M20	20	-	-	5
79450000	H-A 10 TBF-LB M25	25	-	-	5

Last Update (01.08.2019)

©2019 Lapp Group - Technical changes reserved

Product Management [www.lappkabel.de](http://www.lappkabel.de)You can find the current technical data in the corresponding data sheet.  
PN 0456 / 02\_03.16