

## EPIC® SIGNAL R 3.0 B1

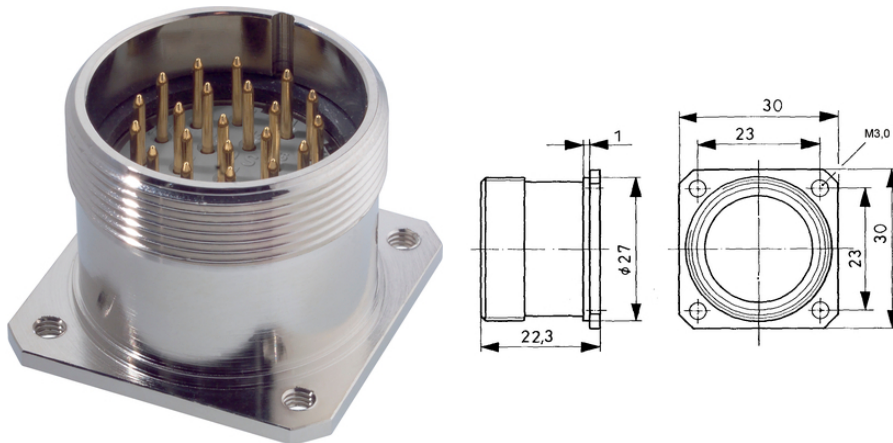
Circular connectors with solder termination, 21-pin and 26-pin

EPIC® R3.0 panel base for back wall assembly signal für 26 contacts

### Info

Compact and reliable connector for multicore signal cables

Made in Germany



Mechanical and plant engineering



Corrosion-resistant



Mechanical resistance



Space requirement

### Benefits

highest contact density at small space requirements

Connector in solder version for easy maintenance

### Application range

Machine and equipment manufacturing

Measurement and control technology

### Technical Data

Classification ETIM 5:

ETIM 5.0 Class-ID: EC002635

ETIM 5.0 Class-Description: Circular connector (industrial connector)

Classification ETIM 6:

ETIM 6.0 Class-ID: EC002635

ETIM 6.0 Class-Description: Circular connector (industrial connector)

Rated voltage (V):

24V AC / 60VDC

Rated impulse voltage:

1.5 kV

Last Update (21.12.2022)

©2022 Lapp Group - Technical changes reserved

Product Management [www.lappkabel.de](http://www.lappkabel.de)

You can find the current technical data in the corresponding data sheet.

PN 0456 / 02\_03.16

## EPIC® SIGNAL R 3.0 B1

Rated current (A):	7.5 A
Contact resistance:	< 3 mOhm
Contacts:	Copper alloy, gold-plated
Number of contacts:	21-pin / 26-pin
Termination methods:	Solder termination: up to 1.0 mm <sup>2</sup>
Material:	Housing: nickel-plated copper alloy Insert: thermoplastic Sealing: neoprene
Protection rating:	IP 67 (maximum, dependant on cable gland used)
Cycle of mechanical operation:	500
Temperature range:	-40°C to +100°C, short-term up to +125°C

### Note

The housing is available with male or female inserts. The pin configuration corresponds to the versions shown. Inserts with male contacts (E-component) are right turning (plug side clockwise). The female inserts have the opposite pin configuration (P-component = left turning, plug side anticlockwise)

Photographs and graphics are not to scale and do not represent detailed images of the respective products.

Prices are net prices without VAT and surcharges. Sale to business customers only.

**EPIC® SIGNAL R 3.0 B1**

Article number	Article	Version	Contacts	Pin configuration	Coding	Fastening type	Pieces / PU
R 3.0 B1							
00009082	SIGNAL R 3.0 B1	male	1 - 21	E-Part	N	M3 (4x)	5
00009135	SIGNAL R 3.0 B1	female	1 - 21	P-Part	N	M3 (4x)	5
00008978	SIGNAL R 3.0 B1	female	1 - 26	P-Part	N	M3 (4x)	5

Last Update (21.12.2022)

©2022 Lapp Group - Technical changes reserved

Product Management [www.lappkabel.de](http://www.lappkabel.de)

You can find the current technical data in the corresponding data sheet.

PN 0456 / 02\_03\_16