

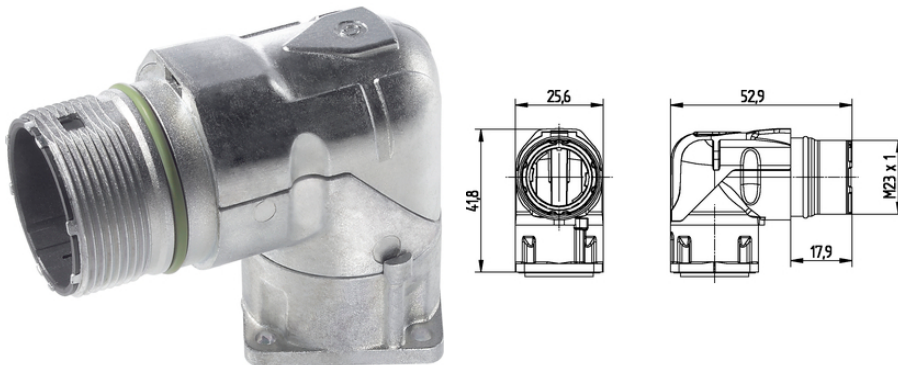
EPIC® SIGNAL M23 A3

Circular connectors for Servo Cables and encoders

EPIC® M23 panel base angled, swivel

Info

Rotateable with clearly defined adjustment positions



Interference signals



Robust



Good chemical resistance



Wind Energy



Mechanical and plant engineering

Benefits

Housings are very flexible - cable connectors with wide clamping range, receptacle housings for assembling the inserts from the front and rear

Permanent vibration protection

Application range

Plant engineering

Servo drives and servo assemblies

Measurement and control technology

Product features

Mounting: Ø2.7mm for screws M2.5. Ø3.2mm for screws M3

Last Update (01.08.2019)

©2019 Lapp Group - Technical changes reserved

Product Management www.lappkabel.de

You can find the current technical data in the corresponding data sheet.

PN 0456 / 02_03.16

EPIC® SIGNAL M23 A3

Technical Data

Classification ETIM 5:	ETIM 5.0 Class-ID: EC000437 ETIM 5.0 Class-Description: Housing for industrial connectors
Classification ETIM 6:	ETIM 6.0 Class-ID: EC000437 ETIM 6.0 Class-Description: Housing for industrial connectors
Material:	Housing: nickel-plated zinc die-casting Sealing: FPM
Protection rating:	IP 65
VDE-tested:	Certified production control: VDE-REG. no. C24 (according to EN 61984, SELV according to DIN VDE 0100-410 has to be guaranteed) UL File Number: E249137
Temperature range:	-25°C up to +125°C

Note

Photographs and graphics are not to scale and do not represent detailed images of the respective products.
Prices are net prices without VAT and surcharges. Sale to business customers only.

EPIC® SIGNAL M23 A3

Article number	Article	Coding	Fastening type	Pieces / PU
Type M23 A3 panel-mount connector, angled, rotatable, front wall mounting				
24420055	M23 A3	black (N)	Ø 2.7 mm (4x)	5
24420054	M23 A3	black (N)	Ø 2.7 mm (4x)	20

Last Update (01.08.2019)

©2019 Lapp Group - Technical changes reserved

Product Management www.lappkabel.de

You can find the current technical data in the corresponding data sheet.

PN 0456 / 02_03.16