

## EPIC® POWER M17 G4

Circular connectors for servomotors and power supply

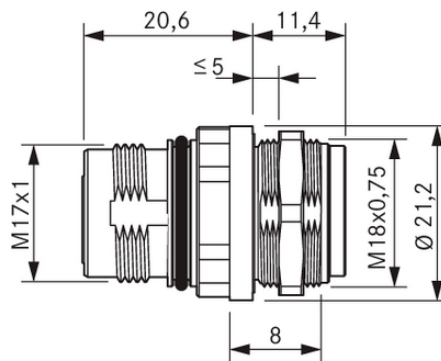
EPIC® POWER M17 G4 panel base with thread M18

### Info

For installation in existing hole

The contacts have to be ordered separately

Made in Germany



Mechanical and plant engineering



Mechanical resistance



Optimum strain relief



Space requirement



Interference signals



Waterproof

### Benefits

Version with less contacts for higher current  
sensor/ ac

EMC protection

### Application range

Servo drives and servo assemblies

Plant engineering, machinery manufacturing

### Technical Data

Classification ETIM 5:

ETIM 5.0 Class-ID: EC002635

Last Update (16.07.2024)

©2024 Lapp Group - Technical changes reserved

Product Management [www.lappkabel.de](http://www.lappkabel.de)

You can find the current technical data in the corresponding data sheet.

PN 0456 / 02\_03.16

## EPIC® POWER M17 G4

Classification ETIM 6:	ETIM 5.0 Class-Description: Circular connector (industrial connector) ETIM 6.0 Class-ID: EC002635 ETIM 6.0 Class-Description: Circular connector (industrial connector)
Rated voltage (V):	630V: 2mm and 1mm contacts 60V: 0,6mm contacts
Rated impulse voltage:	6KV: 2mm and 1mm contacts 1.5KV: 0.6mm contacts
Rated current (A):	3+PE: 20A, 5+PE/6+PE/7+PE:14A, 3+PE+5:14A/3,6A
Pollution degree:	3
Contacts:	Gold-plated brass
Number of contacts:	3+PE, 5+PE, 6+PE, 7+PE, 3+PE+5 Contacts:3+PE(2mm), 5+PE(1mm), 6+PE(1mm), 7+PE(1mm), 3+PE+5(1mm/0.6mm)
Termination methods:	Crimp: 3+PE: 0.5-2.5mm <sup>2</sup> , 5+PE/6+PE/7+PE: 0.06-1mm <sup>2</sup> , 3+P+5: 0.06-1/0.06-0.5mm <sup>2</sup>
Material:	Housing: nickel-plated zinc die-casting, nickel-plated brass Insert: PA, Seal: FPM
Protection rating:	IP 67
Cycle of mechanical operation:	100
Temperature range:	-40°C to +125°C

### Note

Photographs and graphics are not to scale and do not represent detailed images of the respective products. Prices are net prices without VAT and surcharges. Sale to business customers only.

**EPIC® POWER M17 G4**

Article number	Article description	Fastening type	Pin configuration	Packaging unit
Type M17 G4, front wall mounting				
44423095	EPIC® M17 female	M18x0,75 (order counternut separately)	3+PE (2mm contacts)	5
44423090	EPIC® M17 male	M18x0,75 (order counternut separately)	3+PE (2mm contacts)	5
44423099	EPIC® M17 female	M18x0,75 (order counternut separately)	5+PE (1mm contacts)	5
44423094	EPIC® M17 male	M18x0,75 (order counternut separately)	5+PE (1mm contacts)	5
44423096	EPIC® M17 female	M18x0,75 (order counternut separately)	6+PE (1mm contacts)	5
44423091	EPIC® M17 male	M18x0,75 (order counternut separately)	6+PE (1mm contacts)	5
44423097	EPIC® M17 female	M18x0,75 (order counternut separately)	7+PE (1mm contacts)	5
44423092	EPIC® M17 male	M18x0,75 (order counternut separately)	7+PE (1mm contacts)	5
44423098	EPIC® M17 female	M18x0,75 (order counternut separately)	3+PE+5 (1mm/0.6mm contacts)	5
44423093	EPIC® M17 male	M18x0,75 (order counternut separately)	3+PE+5 (1mm/0.6mm contacts)	5

Last Update (16.07.2024)

©2024 Lapp Group - Technical changes reserved

 Product Management [www.lappkabel.de](http://www.lappkabel.de)

You can find the current technical data in the corresponding data sheet.

PN 0456 / 02\_03\_16