

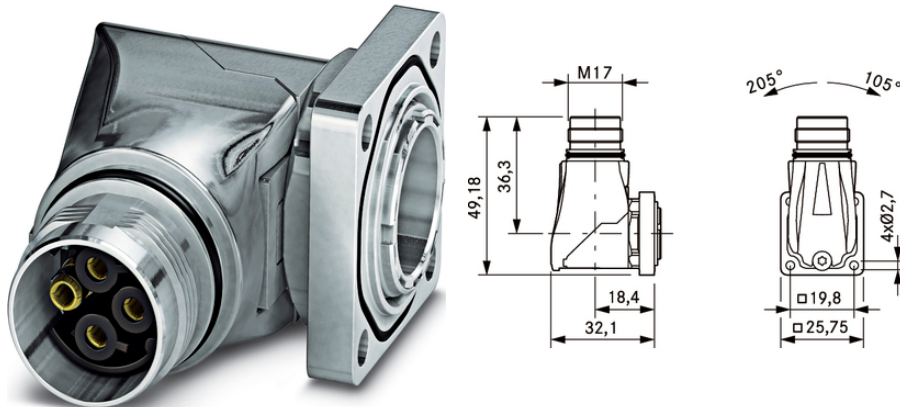
EPIC® POWER M17 A3

Circular connectors for servomotors and power supply

EPIC® M17 POWER panel mount base angled, swivel

Info

rotateable with 310° cable outlet



Waterproof



Interference signals



Space requirement



Optimum strain relief



Mechanical resistance



Mechanical and plant engineering

Benefits

Version with less contacts for higher current

sensor/ ac

EMC protection

Application range

Servo drives and servo assemblies

Plant engineering, machinery manufacturing

Technical Data

Classification ETIM 5:

ETIM 5.0 Class-ID: EC002635

ETIM 5.0 Class-Description: Circular connector (industrial connector)

Last Update (01.08.2019)

©2019 Lapp Group - Technical changes reserved

Product Management www.lappkabel.de

You can find the current technical data in the corresponding data sheet.

PN 0456 / 02_03.16

EPIC® POWER M17 A3

Classification ETIM 6:	ETIM 6.0 Class-ID: EC002635 ETIM 6.0 Class-Description: Circular connector (industrial connector)
Rated voltage (V):	630V: 2mm and 1mm contacts 60V: 0,6mm contacts
Rated impulse voltage:	6KV: 2mm and 1mm contacts 1.5KV: 0.6mm contacts
Rated current (A):	3+PE: 20A, 5+PE/6+PE/7+PE:14A, 3+PE+5:14A/3,6A
Pollution degree:	3
Contacts:	Gold-plated brass
Number of contacts:	3+PE, 5+PE, 6+PE, 7+PE, 3+PE+5 Contacts:3+PE(2mm), 5+PE(1mm), 6+PE(1mm), 7+PE(1mm), 3+PE+5(1mm/0.6mm)
Termination methods:	Crimp: 3+PE: 0.5-2.5mm ² , 5+PE/6+PE/7+PE: 0.06-1mm ² , 3+P+5: 0.06-1/0.06-0.5mm ²
Material:	Housing: nickel-plated zinc die-casting, nickel-plated brass Insert: PA, Seal: FPM
Protection rating:	IP 67
Cycle of mechanical operation:	100
Temperature range:	-40°C to +125°C

Note

Photographs and graphics are not to scale and do not represent detailed images of the respective products. Prices are net prices without VAT and surcharges. Sale to business customers only.

EPIC® POWER M17 A3

Article number	Article description	Fastening type	Pin configuration	Pieces / PU
Type M17 A3, angled and rotateable				
44423085	EPIC® M17 female	Ø 2.7 mm (4x)	3+PE (2mm contacts)	5
44423080	EPIC® M17 male	Ø 2.7 mm (4x)	3+PE (2mm contacts)	5
44423086	EPIC® M17 female	Ø 2.7 mm (4x)	5+PE (1mm contacts)	5
44423081	EPIC® M17 male	Ø 2.7 mm (4x)	5+PE (1mm contacts)	5
44423087	EPIC® M17 female	Ø 2.7 mm (4x)	6+PE (1mm contacts)	5
44423082	EPIC® M17 male	Ø 2.7 mm (4x)	6+PE (1mm contacts)	5
44423088	EPIC® M17 female	Ø 2.7 mm (4x)	7+PE (1mm contacts)	5
44423083	EPIC® M17 male	Ø 2.7 mm (4x)	7+PE (1mm contacts)	5
44423089	EPIC® M17 female	Ø 2.7 mm (4x)	3+PE+5 (1mm/0.6mm contacts)	5
44423084	EPIC® M17 male	Ø 2.7 mm (4x)	3+PE+5 (1mm/0.6mm contacts)	5

Last Update (01.08.2019)

©2019 Lapp Group - Technical changes reserved

Product Management www.lappkabel.deYou can find the current technical data in the corresponding data sheet.
PN 0456 / 02_03_16