

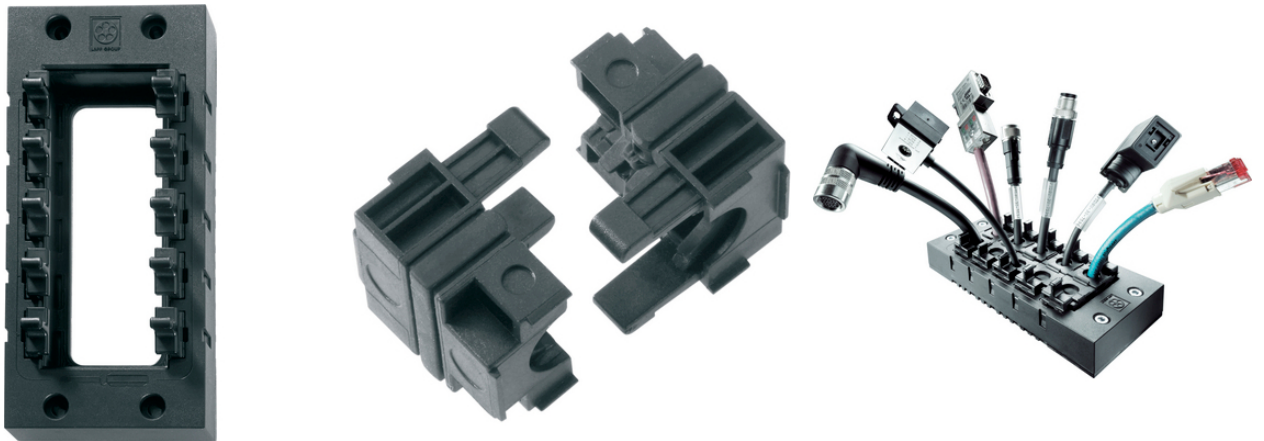
SKINTOP® CUBE

SKINTOP® CUBE, cable bushing system with oil resistance, variable range of clamping force and vibration-safe module fixation

Info

Innovative multi-cable bushing system with variable clamping ranges for high flexibility in assembling.

When disassembling, the frame can remain on the housing and the plug-in module remains securely on the cable.



Wide clamping range



Assembly time



Optimum strain relief



Space requirement



Connector with standard housing unit

Benefits

Variable clamping range

Vibration-safe module fixation

Strain relief

Oil resistance

Simplified servicing due to easy assembling and disassembling

Application range

For installation of harnessed cables

Used in areas where a lot of cables and wires need to be inserted into housings with minimum space requirements

Apparatus and switch cabinet construction

Electronic installations

Automation technology

Last Update (28.05.2023)

©2023 Lapp Group - Technical changes reserved

Product Management www.lappkabel.de

You can find the current technical data in the corresponding data sheet.

PN 0456 / 02_03.16

SKINTOP® CUBE

Norm references / Approvals

UL 50, UL 50E, CSA C22.2
UL 508A for Industrial Control Panels
UL File No. E349737

Product Make-up

The SKINTOP® CUBE system consists of the SKINTOP® CUBE FRAME and the clip modules SKINTOP® CUBE MODULE.
For cut-outs for industrial connectors with standard defined boreholes.
For cut-outs for 16-pin industrial connectors (36 x 86 mm)
For cut-outs for 24-pin industrial connectors (36 x 112 mm)

Note

SKINTOP® CUBE MODULE 20x20 BLIND can be used as a blind module and for clamping ranges 1 - 3 mm
For better strain relief, the cable bundle can be fixed with help of a cable tie

Technical Data

Classification ETIM 5:	ETIM 5.0 Class-ID: EC000240 ETIM 5.0 Class-Description: Cable entry
Classification ETIM 6:	ETIM 6.0 Class-ID: EC000240 ETIM 6.0 Class-Description: Cable entry
Certifications:	UL File No. E349737 Fire behaviour according to UL94 HB (Frame) and V-0 (Modules)
Note:	The installation dimensions and possible module combinations can be found in appendix T21
Material:	Frame: glass fibre-reinforced polyamide Frame seal: CR Clip module: special polypropylene Clip module seal: LSE 2
Protection rating:	IP 64
Temperature range:	Dynamic: -20°C up to +80°C Static: -40°C up to +80°C

Note

Photographs and graphics are not to scale and do not represent detailed images of the respective products.
Prices are net prices without VAT and surcharges. Sale to business customers only.

SKINTOP® CUBE

Article number	Article designation / size	Ø F mm	Max. number of executions	Pieces / PU
SKINTOP® CUBE Frame				
52220000	SKINTOP® CUBE FRAME 16	-	8	1
52220001	SKINTOP® CUBE FRAME 24	-	10	1
SKINTOP® CUBE clip modules				
52220004	SKINTOP® CUBE MODULE 20x20 BLIND	1.0 - 3.0	-	5
52220002	SKINTOP® CUBE MODULE 20x20 SMALL	4.0 - 6.0	-	5
52220003	SKINTOP® CUBE MODULE 20x20 LARGE	6.0 - 9.0	-	5
52220040	SKINTOP® CUBE MODULE 20x20 AS-I BUS	-	-	5
52220005	SKINTOP® CUBE MODULE 40x40 SMALL	9.0 - 12.0	-	5
52220006	SKINTOP® CUBE MODULE 40x40 LARGE	12.0 - 16.0	-	5
52220007	SKINTOP® CUBE MODULE 40x40 BLIND	-	-	5

Last Update (28.05.2023)

©2023 Lapp Group - Technical changes reserved

 Product Management www.lappkabel.de

You can find the current technical data in the corresponding data sheet.

PN 0456 / 02_03_16

SKINTOP® CUBE

