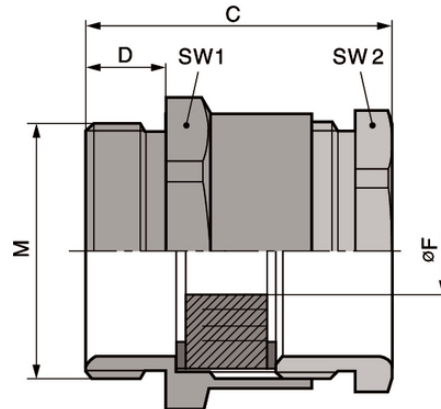


## SKINDICHT® SVRE-M

SKINDICHT® SVRE-M, metric, nickel-plated brass cable gland with variable incised sealing ring and hexagonal fitting



Robust



Reliability

### Benefits

With incised sealing ring for adjustment to several cable diameters  
Fewer sizes need to be kept in stock

### Application range

Brass cable gland with hexagonal fitting and variable incised sealing ring.

### Product Make-up

Metric connection thread acc. to DIN EN 60423  
Basis for technical information DIN IEC 62444

### Note

Refer to SKINDICHT® EV for additional accessories  
Counter nut to be used: SKINDICHT® SM-M

### Technical Data

Classification ETIM 5:

ETIM 5.0 Class-ID: EC000441  
ETIM 5.0 Class-Description: Cable screw gland

Classification ETIM 6:

ETIM 6.0 Class-ID: EC000441  
ETIM 6.0 Class-Description: Cable screw gland

Caution:

The installation dimensions  
can be found in appendix T21

On request:

Available with long connection thread

Last Update (27.05.2023)

©2023 Lapp Group - Technical changes reserved

Product Management [www.lappkabel.de](http://www.lappkabel.de)

You can find the current technical data in the corresponding data sheet.

PN 0456 / 02\_03.16

## SKINDICHT® SVRE-M

	Available with FKM incised ring
Material:	Body: nickel-plated brass Incised seal: CR/NBR
Protection rating:	IP 54
Temperature range:	-20°C to +80°C

### Note

Photographs and graphics are not to scale and do not represent detailed images of the respective products. Prices are net prices without VAT and surcharges. Sale to business customers only.

**SKINDICHT® SVRE-M**

Article number	Article designation / size	Incised sealing ring ØF (mm)	Max. internal Ø (mm)	Function thread PG	SW1/SW2 mm	Overall length C mm	Thread length D mm	Pieces / PU
SKINDICHT® SVRE-M								
52104980	M 16 x 1,5	5/8	10	9	18.0 / 15.0	21.6	5	100
52104990	M 20 x 1,5	7/10/12.5	12	11	22.0 / 18.0	23.6	6	50
52105000	M 20 x 1,5	7/10.5/13/16	14	13.5	22.0 / 20.0	25.6	6	50
52105010	M 20 x 1,5	8/10.5/13.5/16	15	16	24.0 / 22.0	26.6	6	50
52105002	M 25 x 1,5	11/15/18/20	20	21	30.0 / 28.0	29.6	7	50
52105003	M 32 x 1,5	19/23/27/31	27	29	40.0 / 37.0	32.6	8	50
52105004	M 40 x 1,5	25/28/31/35	34	36	50.0 / 47.0	37.6	8	20
52105005	M 50 x 1,5	35.5/39/42.5/46	43	42	57.0 / 54.0	42.6	9	5
52105006	M 63 x 1,5	40.5/44/47/50.5	48	48	66.0 / 60.0	45.1	10	5

Last Update (27.05.2023)

©2023 Lapp Group - Technical changes reserved

Product Management [www.lappkabel.de](http://www.lappkabel.de)

You can find the current technical data in the corresponding data sheet.

PN 0456 / 02\_03\_16