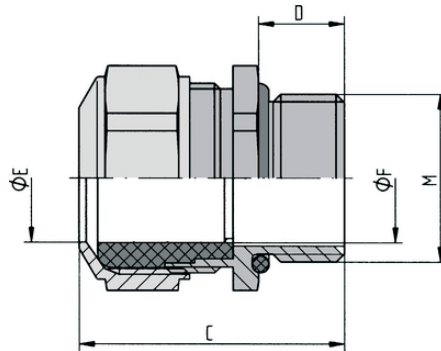


SKINDICHT® CN-M

SKINDICHT® CN-M, special sealing cable gland for use under tough conditions, seawater-resistant, for high mechanical stress



Good chemical resistance



Corrosion-resistant



Mechanical resistance



Robust



Temperature-resistant

Benefits

- For high temperatures
- Resistant to oils, solvents, acids and chemicals
- Seawater-resistant
- For high mechanical stress
- High corrosion-resistance

Application range

- Chromium nickel steel cable gland with FPM seal, specially designed for use under tough conditions
- Pharmaceutical and petrochemical industry
- Offshore sector
- Wind power plants
- Brickworks

Product Make-up

- Metric connection thread acc. to DIN EN 60423
- Basis for technical information DIN IEC 62444

Last Update (07.06.2023)

©2023 Lapp Group - Technical changes reserved

Product Management www.lappkabel.de

You can find the current technical data in the corresponding data sheet.

PN 0456 / 02_03.16

SKINDICHT® CN-M

Note

Refer to the chart to find a suitable counter-nut for SKINDICHT® SM-M INOX

Technical Data

Classification ETIM 5:	ETIM 5.0 Class-ID: EC000441 ETIM 5.0 Class-Description: Cable screw gland
Classification ETIM 6:	ETIM 6.0 Class-ID: EC000441 ETIM 6.0 Class-Description: Cable screw gland
Caution:	The installation dimensions can be found in appendix T21
Material:	Body: chrome-nickel steel in accordance with DIN, material no. 1.4305 Inner seal: FPM O-ring: FPM
Protection rating:	IP 68 - 5 bar IP 69
Temperature range:	-40°C to +200°C

Note

Photographs and graphics are not to scale and do not represent detailed images of the respective products.
Prices are net prices without VAT and surcharges. Sale to business customers only.

SKINDICHT® CN-M

Article number	Article designation / size	Clamping range ØF mm	SW wrench size mm	Overall length C mm	Thread length D mm	Pieces / PU
SKINDICHT® CN-M						
52032580	M 12 x 1,5/1	3.5 - 5	17	27.0	10	5
52032590	M 12 x 1,5/2	5 - 6.5	17	27.0	10	5
52032600	M 12 x 1,5/3	6.5 - 8	17	27.0	10	5
52032610	M 16 x 1,5	8 - 10.5	18	30.0	10	5
52032620	M 20 x 1,5	11 - 15	24	31.0	10	5
52032630	M 25 x 1,5	16 - 20.5	30	36.0	11	5
52032640	M 32 x 1,5	21 - 25.5	36	41.0	13	5
52032650	M 40 x 1,5	28.5 - 33	46	44.0	13	1
52032660	M 50 x 1,5	37 - 42	55	48.0	14	1
52032670	M 63 x 1,5	46 - 52	70	51.0	14	1

Last Update (07.06.2023)

©2023 Lapp Group - Technical changes reserved

Product Management www.lappkabel.de

You can find the current technical data in the corresponding data sheet.

PN 0456 / 02_03_16