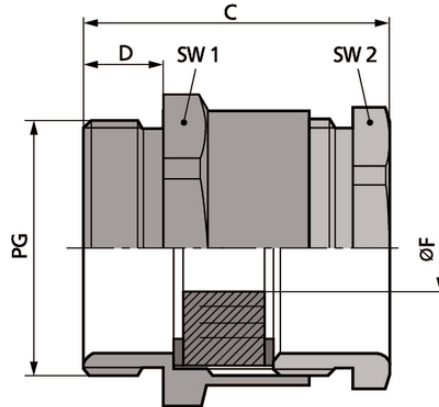


## SKINDICHT® SVRE

SKINDICHT® SVRE, PG cable gland with incised sealing ring and hexagonal fitting



Robust

### Benefits

With incised sealing ring for adjustment to several cable diameters  
Fewer sizes need to be kept in stock

### Application range

Brass cable gland with hexagonal fitting and variable incised sealing ring.

### Product Make-up

PG connection thread

### Note

Refer to SKINDICHT® EV for additional accessories  
Counter nut to be used: SKINDICHT® SM

### Technical Data

Classification ETIM 5:

ETIM 5.0 Class-ID: EC000441  
ETIM 5.0 Class-Description: Cable screw gland

Classification ETIM 6:

ETIM 6.0 Class-ID: EC000441  
ETIM 6.0 Class-Description: Cable screw gland

Caution:

The installation dimensions  
can be found in appendix T21

On request:

Available with long connection thread  
Available with PG 11 to 36 with FKM incised ring

Material:

Body: nickel-plated brass  
Incised seal: CR

Last Update (01.06.2023)

©2023 Lapp Group - Technical changes reserved

Product Management [www.lappkabel.de](http://www.lappkabel.de)

You can find the current technical data in the corresponding data sheet.

PN 0456 / 02\_03.16

## SKINDICHT® SVRE

Protection rating:	IP 54
Temperature range:	-20°C to +80°C

### Note

Photographs and graphics are not to scale and do not represent detailed images of the respective products.  
Prices are net prices without VAT and surcharges. Sale to business customers only.

**SKINDICHT® SVRE**

Article number	Article designation / size	Incised sealing ring ØF (mm)	SW1/SW2 mm	Overall length C mm	Thread length D mm	Pieces / PU
SKINDICHT® SVRE						
52005540	SVRE 9	5/8	17.0 / 15.0	22.6	6	100
52000310	SVRE 11	7/10/12.5	20.0 / 18.0	22.6	6	50
52000320	SVRE 13,5	7/10.5/13/16	22.0 / 20.0	26.1	6.5	50
52000330	SVRE 16	8/10.5/13.5/16	24.0 / 22.0	27.1	6.5	50
52000340	SVRE 21	11/15/18/20	30.0 / 28.0	29.6	7	50
52000350	SVRE 29	19/23/27/31	40.0 / 37.0	32.6	8	50
52000360	SVRE 36	25/28/31/35	50.0 / 47.0	38.6	9	20
52005550	SVRE 42	35.5/39/42.5/46	57.0 / 54.0	43.6	10	10
52005560	SVRE 48	40.5/44/47/50.5	64.0 / 60.0	45.1	10	10

Last Update (01.06.2023)

©2023 Lapp Group - Technical changes reserved

 Product Management [www.lappkabel.de](http://www.lappkabel.de)

You can find the current technical data in the corresponding data sheet.

PN 0456 / 02\_03\_16